

**EU Accent Bed  
Service Parts Catalog  
(09-08-14)**



*Yes, you can.*

## Parts Catalog Usage Guide

The information contained in this document is subject to change without notice. This catalog contains service parts for Form No. 14-344. If you have any questions regarding this catalog, please contact one of our Customer Service Representatives.

**For Customer Service Support Call:**

**1-800-333-6900**

**For Faxed In Orders Call:**

**1-800-678-4682 or**

**1-440-366-0709**

**For Technical Service Call:**

**1-800-832-4707**

**Literature Can Be Found at:**

**[www.invacare.com](http://www.invacare.com) or**

**1-800-828-6272**

### SYMBOL DEFINITION

Throughout this catalog you will notice letters to draw your attention to specific footnotes which are located at the bottom of the page or below specified charts.

Examples:

A,B,C etc. = Special Comments

NOTE: = General information pertaining to that specific page

NLA = No Longer Available

### HARDWARE MEASUREMENTS

The measurements for the hardware will be listed as follows:

Screws, Bolts Diameter X Thread Count/Pitch X Length

Washers Inside Diameter X Outside Diameter X Thickness

Spacers Inside Diameter X Outside Diameter X Length

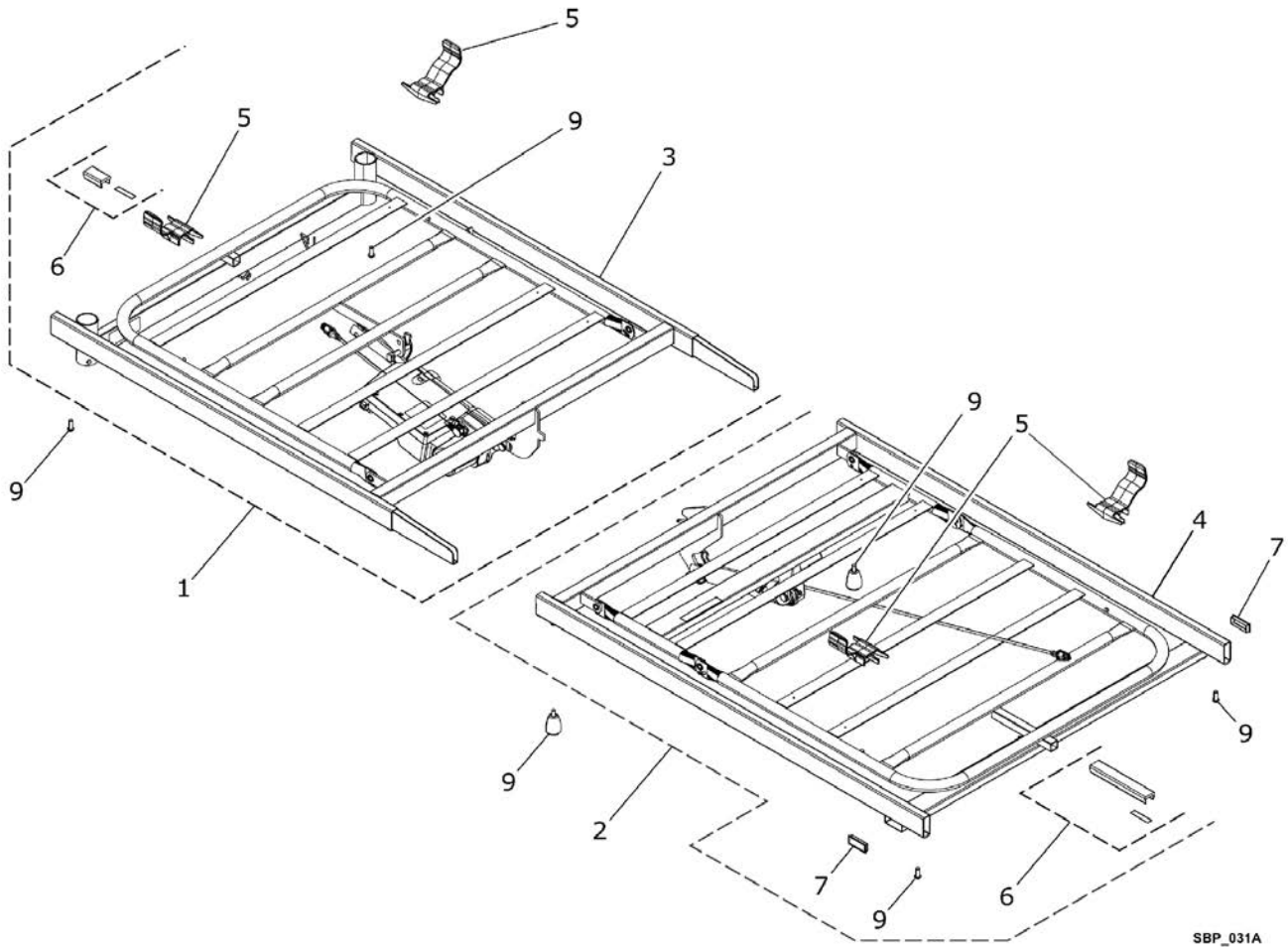
For your convenience, we have supplied an area for you to list your Invacare Representatives.

Name	Phone Numbers

# TABLE of CONTENTS

<b>Description</b>	<b>Page Number</b>
01. Mattress Deck - Steel .....	3
02. Bed End - Standard .....	5
03. Side Rails and Sliders - Wood and Steel .....	7
04. Actuator - Bed End .....	9
05. Actuator - Head (230 V) .....	11
06. Actuator - Thigh .....	13
07. Hand Controls .....	15
08. Accessories - Equipotentiality .....	17

# Mattress Deck - Steel



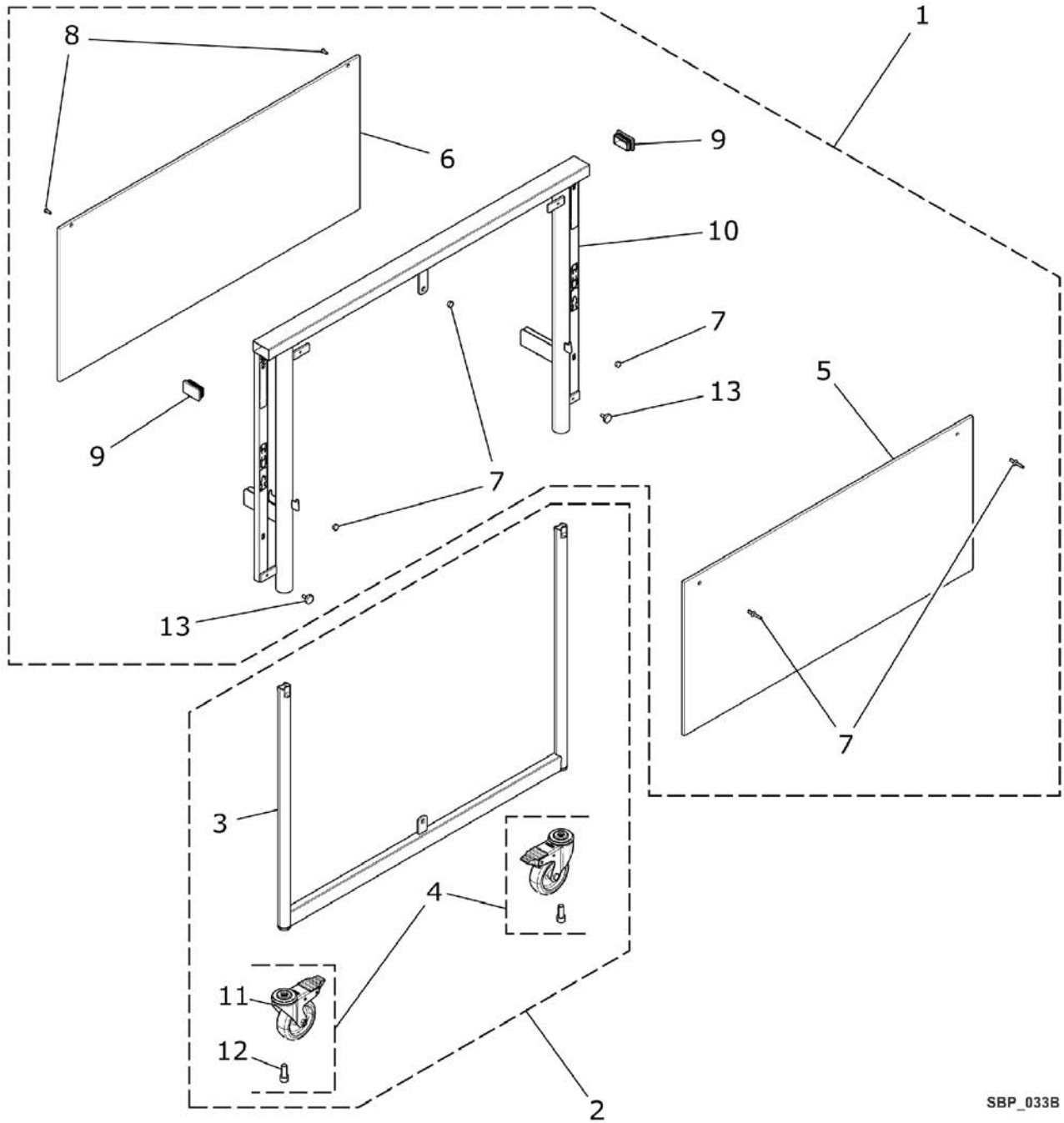
SBP\_031A

## Mattress Deck - Steel

Item Number	Note	Part Number	Description	Quantity Per		
				Package	Assembly	
1	A	SP1577533	Kit, Steel Head Frame Assembly	1	1	
3			Head Frame Assembly, Steel	1	1	
5			Mattress Retainer	1	2	
			Label, Side Rail	1	1	
2			B	SP1577534	Kit, Steel Foot Frame Assembly	1
4	Foot Frame Assembly, Steel	1			1	
5	Mattress Retainer	1			2	
7	Ferrule (50mm x 20mm)	1			2	
	Label, Mattress	1			1	
5	C	SP1423980	Mattress Retainer	1	4	
6			SP1177543	Kit, U Channel Wear Strip	1	1
				U Border Strip (160mm)	1	1
				Bracket, Head Frame Master	1	1
			Tape, Adhesive, Double Sided (12mm)	1	2	
9	D	SP1577535	Kit, Bed End and Adjustment Screws	1	1	
			Attachment Screw	1	4	
			Hand Adjustment Screw	1	2	

**NOTE:** A - Includes items 3, 5, and 6, also includes Side Rail Label which is not shown in the illustration.  
 B - Includes items 4, 5, 6, and 7, also includes Adhesive Tape, Port Plug, and Mattress Label which are not shown in the illustration.  
 C - Includes U Border Strip, Master Bracket, and (2) Adhesive Tape.  
 D - Includes Standard Screws (4) and Finger Adjusting Screw (2).

# Bed End - Standard

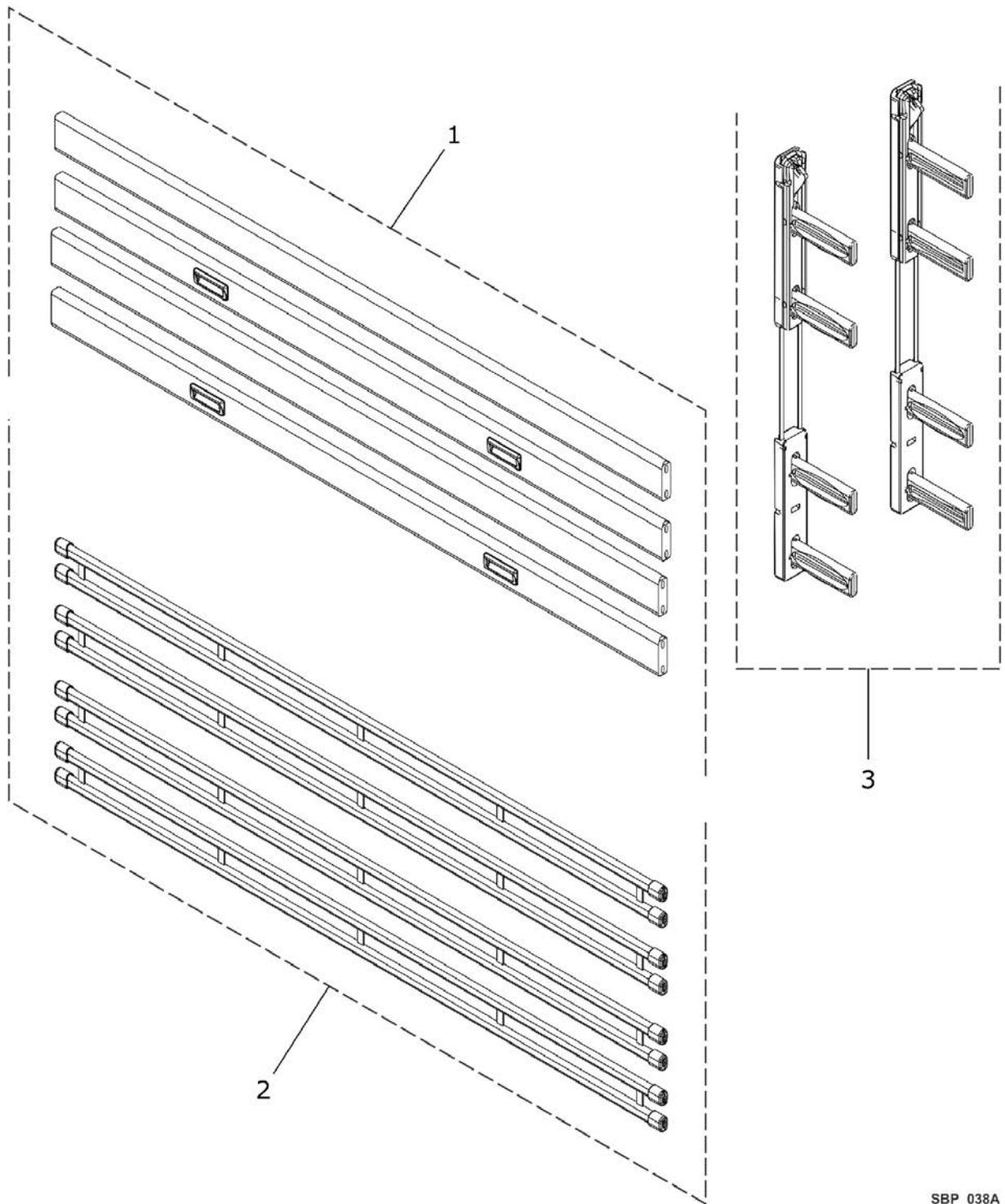


SBP\_033B

## Bed End - Standard

Item Number	Note	Part Number	Description	Quantity Per	
				Package	Assembly
1	A	SP1577536	Kit, Upper Bed End, Standard	1	1
5			Outer Plate, Bed End	1	1
6			Inner Plate, Bed End	1	1
7			Screw, Fisheye	1	1
8			Tubular Rivet	1	2
10			Upper Bed End Frame	1	1
2	B	SP1177354	Kit, Lower Bed End Frame, Standard (Composite Casters)	1	1
3			Lower Bed End Frame Assembly, Standard	1	1
11			Caster Assembly, Composite (100mm)	1	2
12			Screw (M12 x 30mm)	1	2
4	C	SP1554588	Kit, Caster, Composite (100mm)	1	1
11			Caster Assembly, Composite (100mm)	1	1
12			Screw (M12 x 30mm)	1	1
9	D	SP1563580	Kit, Plug Button	1	1
			Plug Button	1	2
13	E	SP1177547	Package, Finger Adjusting Screw	1	1
			Screw, Finger Adjusting (M6 x 16mm)	2	1
5		SP1577538	Outer Plate, Bed End	1	1
6		SP1577537	Inner Plate, Bed End	1	1
7		SP1577564	Screw, Fisheye	1	5
8		SP818305	Tubular Rivet	1	2
NOTE: A - Includes items 5 - 10, and item 13. B - Includes items 3, 4, 11, and item 12. C - Includes items 11 and 12. D - Includes (2) Plug Buttons. E - Includes (2) Finger Adjusting Screws.					

# Side Rails and Sliders - Wood and Steel



SBP\_038A

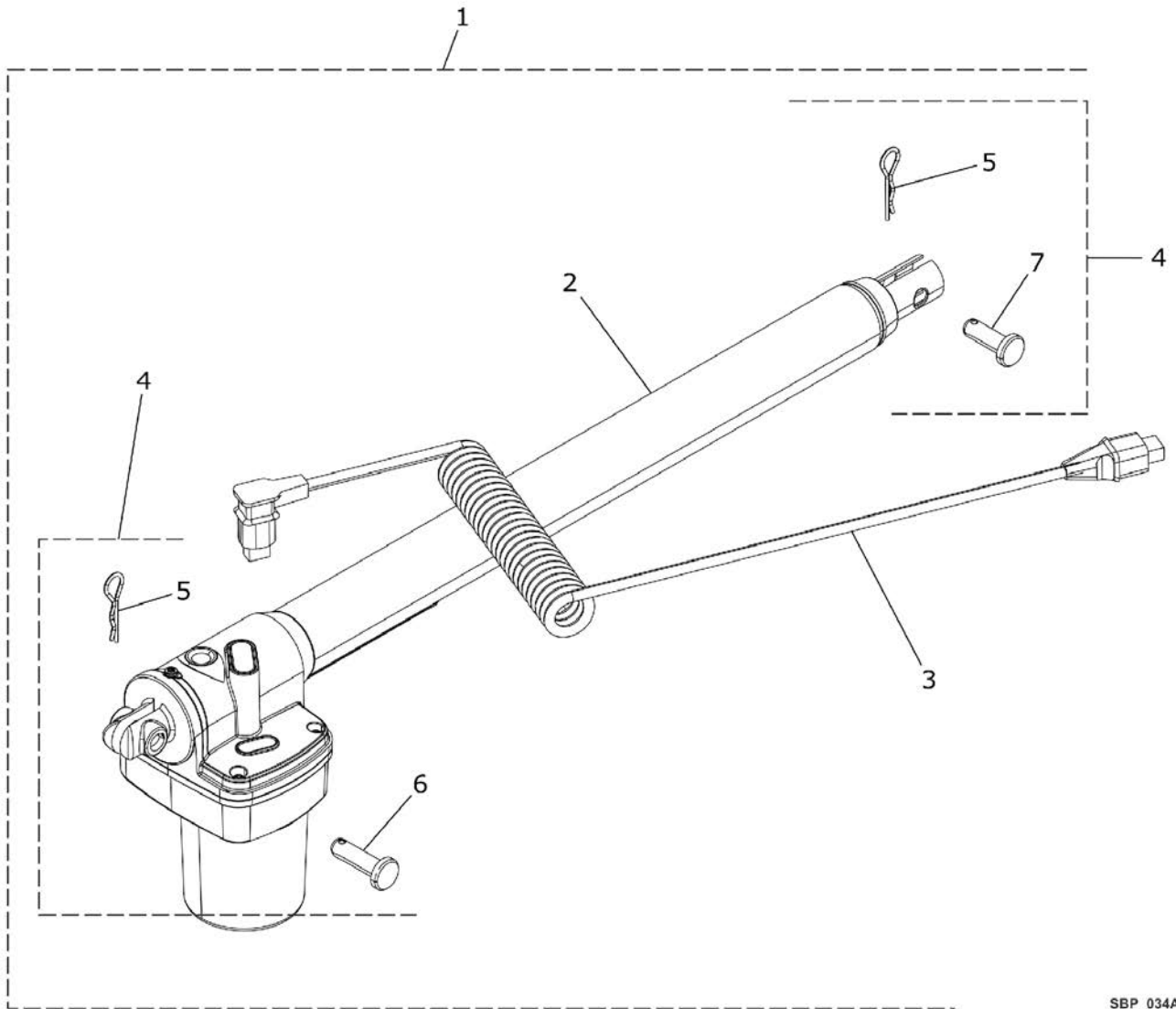


## Side Rails and Sliders - Wood and Steel

Item Number	Note	Part Number	Description	Quantity Per	
				Package	Assembly
1	A	1560435-0101	Wood Side Rail, Standard	4	2
2		1560076-0152	Kit, Steel Side Rail Assembly	1	1
			Cap, Side Rail, Oval	16	1
			Steel Side Rail Assembly	4	1
3		SP1177461	Side Rail Sliders (Two Pair)	1	2

NOTE: A - Includes Cap and Side Rail.

# Actuator - Bed End

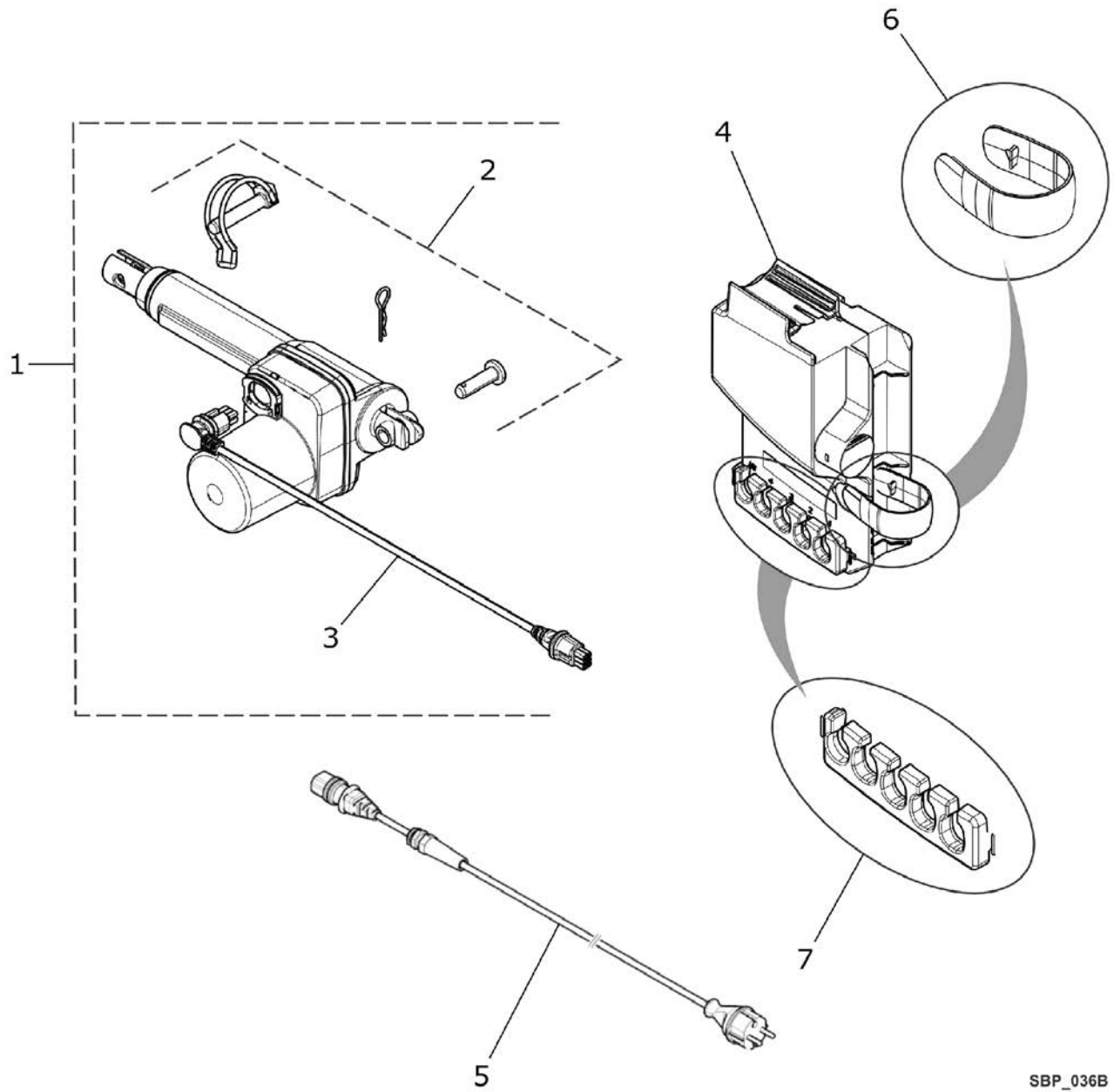


SBP\_034A

## Actuator - Bed End

Item Number	Note	Part Number	Description	Quantity Per	
				Package	Assembly
1	A	SP1177329	Kit, Bed End Actuator w/ Hardware	1	1
2			Actuator, Hilo	1	1
3			Cable, Motor	1	1
5			Spring Pin	1	2
6			Pin, Clevis (10 x 35mm)	1	1
7			Pin (10 x 30 x 26 mm)	1	1
4			B	SP1177549	Kit, Actuator Hardware
	Pin, Clevis (10 x 35mm)	1			1
	Pin (10 x 30 x 26 mm)	1			1
	Spring Pin	1			2
3		SP1551453	Cable, Motor	1	1
NOTE: A - Includes items 2 - 7. B - Includes items 5, 6, and 7.					

# Actuator - Head (230 V)

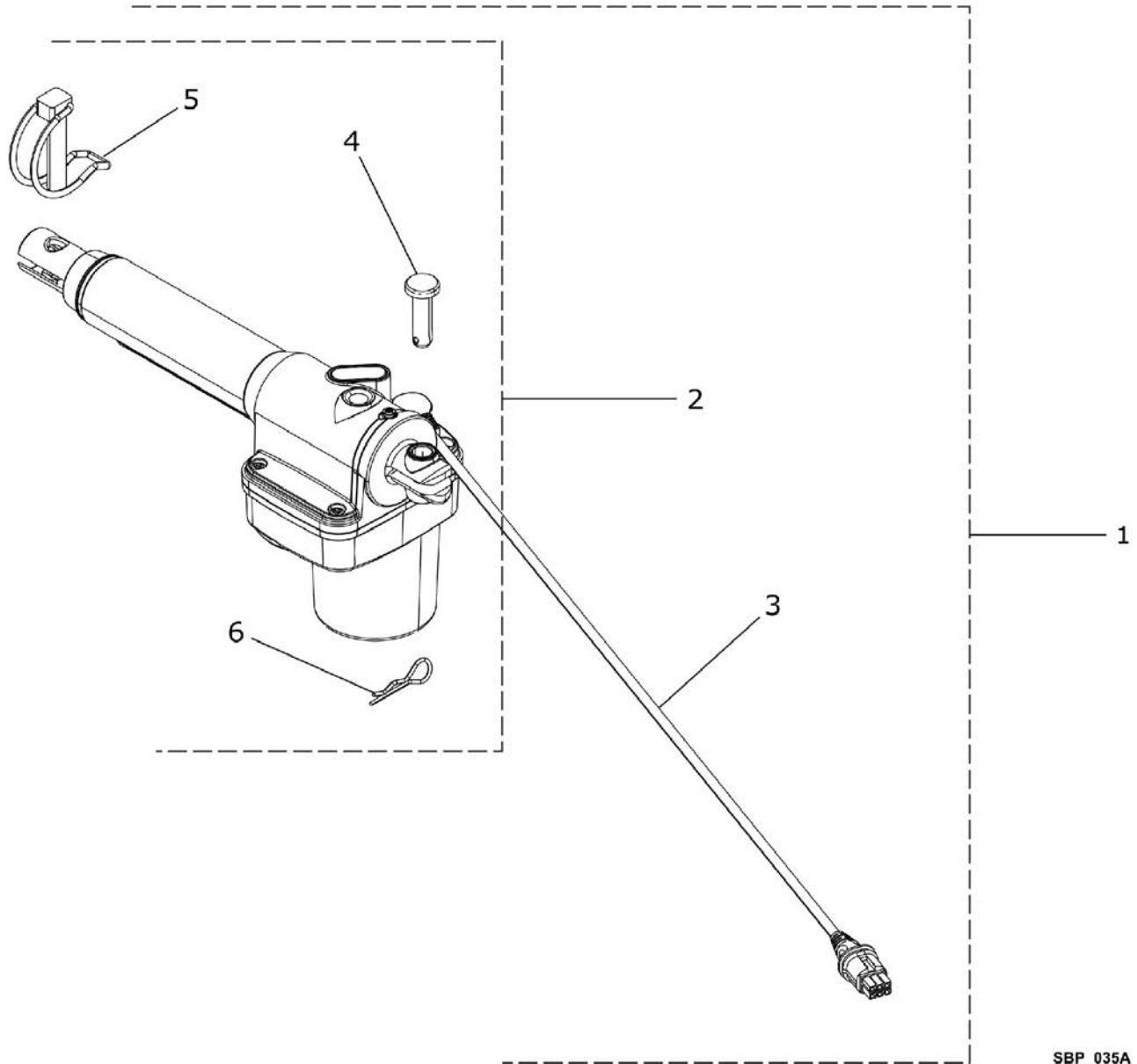


SBP\_036B

## Actuator - Head (230 V)

Item Number	Note	Part Number	Description	Quantity Per	
				Package	Assembly
1	A	SP1557968	Kit, Medley Head Actuator	1	1
2	B	SP1177550	Kit, Actuator Hardware	1	1
			Pin, Clevis (10 x 35mm)	1	1
			Retaining Pin Assembly (10 mm Dia. x 50)	1	1
			Spring Pin	1	1
3		SP1177403	Cable, Straight Extension, Minifit	1	1
4		SP1177431	Kit, CB Control Unit (230V)	1	1
5		SP1417517	EU Mains Cord	1	1
5		SP1539737	UK Mains Cord	1	1
6		SP1177242-703 5	Control Box Retaining Clip	1	1
7		SP1177389-703 5	Control Box Cable Lock Clip	1	1
NOTE: A - Includes items 2 and 3. B - Includes Spring Pin, Pin, and Retaining Pin.					

# Actuator - Thigh

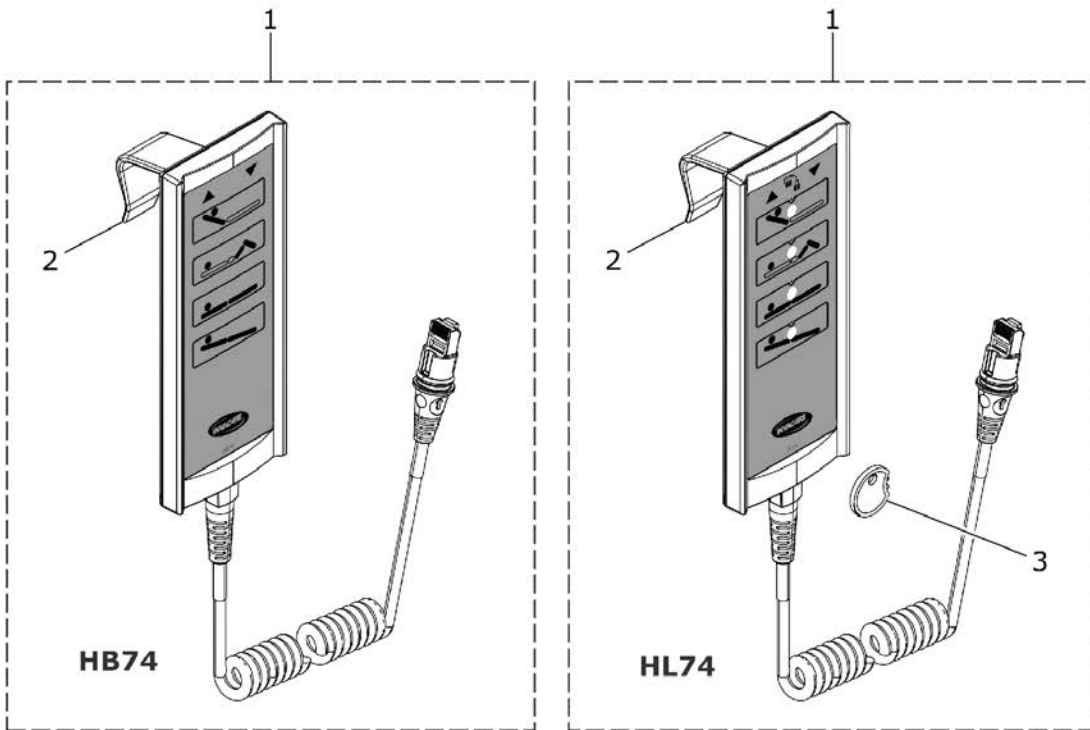
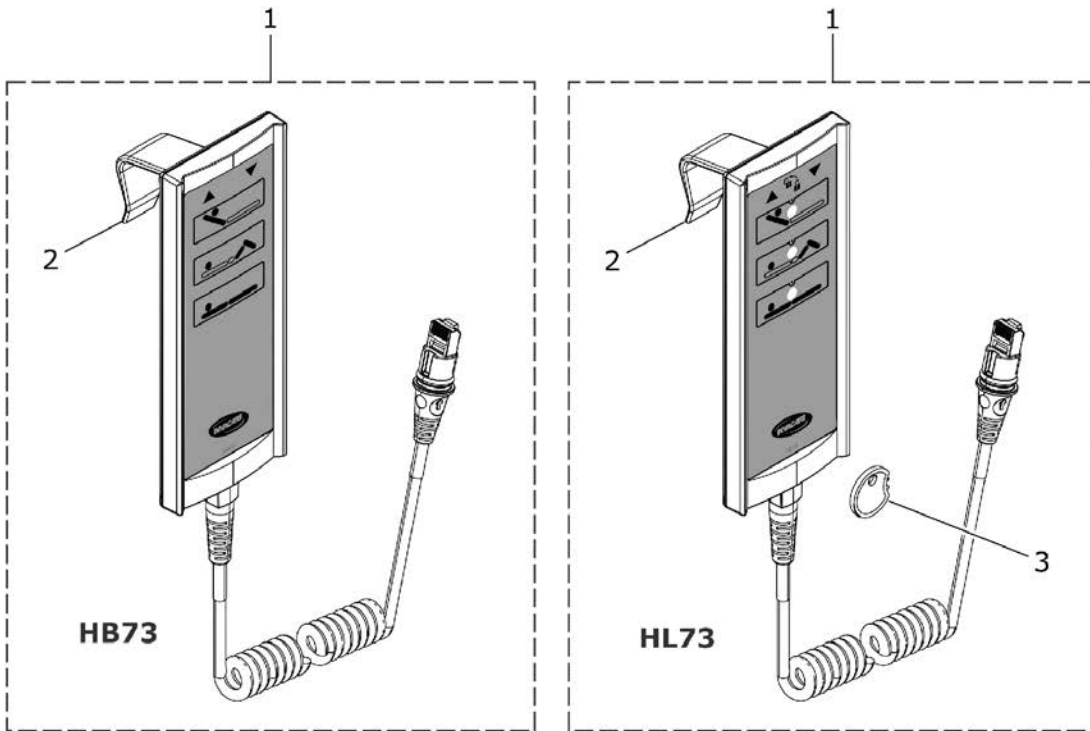


SBP\_035A

## Actuator - Thigh

Item Number	Note	Part Number	Description	Quantity Per	
				Package	Assembly
1	A	SP1557969	Kit, Thigh Actuator	1	1
3			Cable, Straight Extension, Minifit	1	1
4			Pin, Clevis (10 x 35mm)	1	1
5			Retaining Pin Assembly (10 mm Dia. x 50)	1	1
6			Spring Pin	1	1
2			B	SP1177550	Kit, Actuator Hardware
4	Pin, Clevis (10 x 35mm)	1			1
5	Retaining Pin Assembly (10 mm Dia. x 50)	1			1
6	Spring Pin	1			1
3		SP1177402	Cable, Straight Extension, Minifit	1	1
NOTE: A - Includes items 2, 3, 4, 5, and 6. B - Includes items 4, 5, and 6.					

# Hand Controls



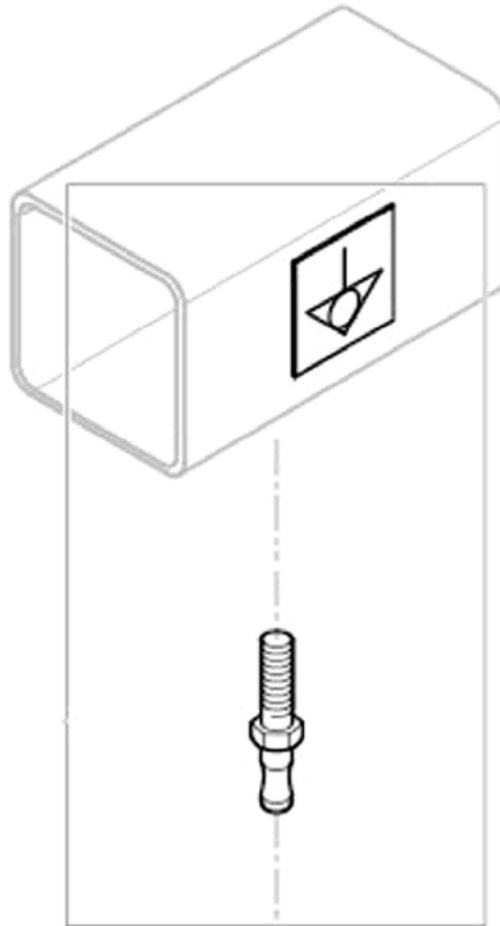
SBP\_037A



## Hand Controls

Item Number	Note	Part Number	Description	Quantity Per	
				Package	Assembly
1		SP1177363	HB73 Hand Control, Three Function	1	1
1		SP1177364	HL73 Hand Control, Three Function with Lock	1	1
1		SP1177365	HB74 Hand Control, Tilt	1	1
1		SP1177366	HL74 Hand Control, Tilt with Lock	1	1
2		SP819487	Hanger, Hand Control	1	1
3		SP1177553	Kit, Key Lockout Function	1	1
			Key, Handset Lockout	1	5

## Accessories - Equipotentiality



Item Number	Note	Part Number	Description	Quantity Per	
				Package	Assembly
		SP1531201	Equipotentiality Plug, Sticker, and Notice	1	1



**Yes, you can.**

**Invacare Corporation**

[www.invacare.com](http://www.invacare.com)

---

One Invacare Way  
Elyria, Oh USA  
44036-2125  
800-333-6900

Technical Support  
800-832-4707  
Customer Service  
800-333-6900

Literature Orders  
800-333-6900